

JETRIKE - Tadpole

An Open Design

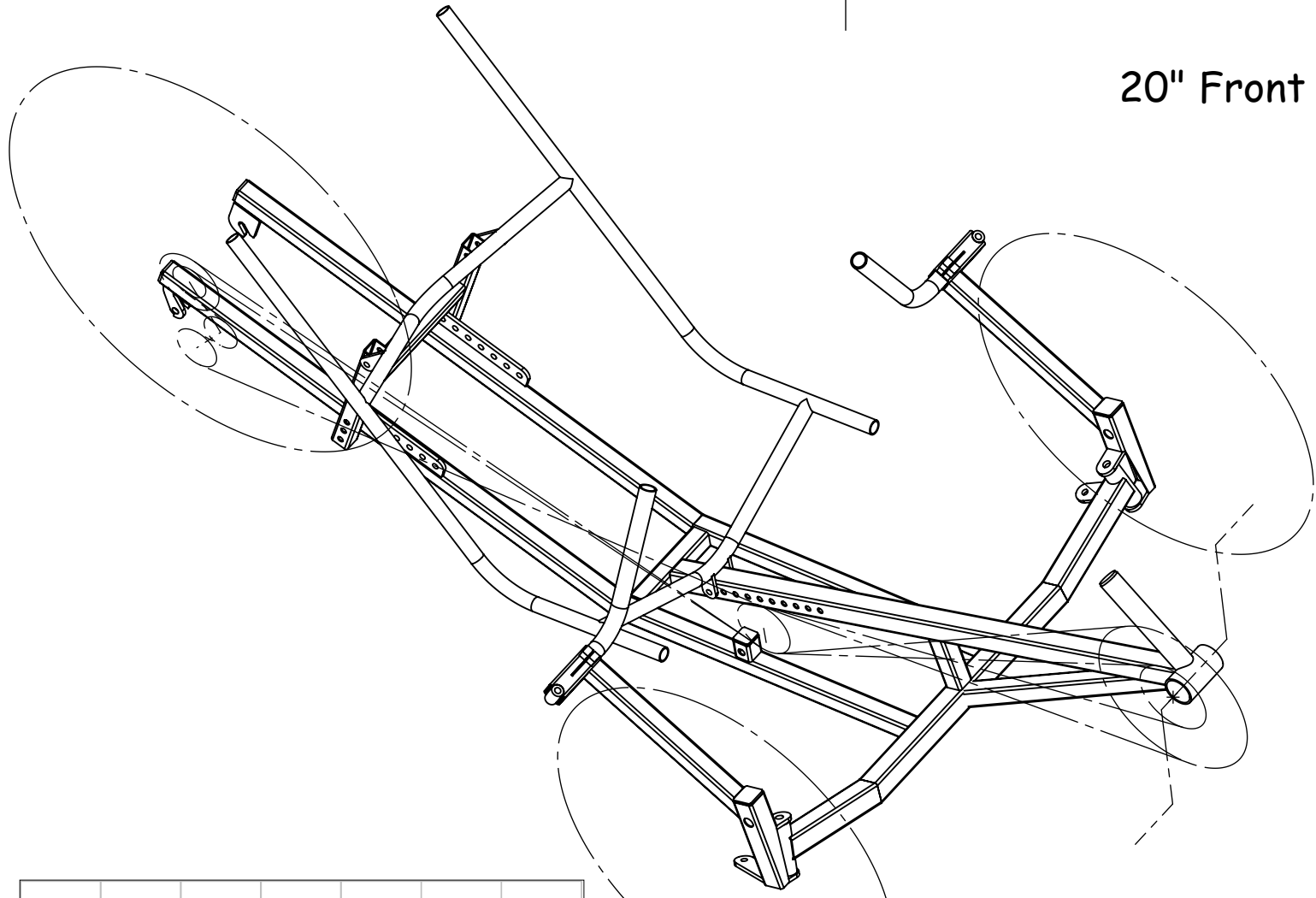
Copyright (c) 2007, Henry Thomas
All rights reserved.

Redistribution and use of plans, with or without modification, are permitted provided that the following conditions are met:

1. Redistributions of plans must retain the above copyright notice, this list of conditions and the following disclaimer.
2. Neither the name of Henry Thomas or JETRIKE nor the names of any contributors may be used to endorse or promote products derived from these plans without specific prior written permission.

THESE PLANS ARE PROVIDED BY THE COPYRIGHT HOLDERS AND CONTRIBUTORS "AS IS" AND ANY EXPRESS OR IMPLIED WARRANTIES, INCLUDING, BUT NOT LIMITED TO, THE IMPLIED WARRANTIES OF MERCHANTABILITY AND FITNESS FOR A PARTICULAR PURPOSE ARE DISCLAIMED. IN NO EVENT SHALL THE COPYRIGHT HOLDERS OR CONTRIBUTORS BE LIABLE FOR ANY DIRECT, INDIRECT, INCIDENTAL, SPECIAL, EXEMPLARY, OR CONSEQUENTIAL DAMAGES (INCLUDING, BUT NOT LIMITED TO, INJURY OCCASIONING BODILY HARM OR DEATH; LOSS OF PROFITS; PROCUREMENT OF SUBSTITUTE GOODS OR SERVICES; OR BUSINESS INTERRUPTION) HOWEVER CAUSED AND ON ANY THEORY OF LIABILITY, WHETHER IN CONTRACT, STRICT LIABILITY, OR TORT (INCLUDING NEGLIGENCE OR OTHERWISE) ARISING IN ANY WAY OUT OF THE USE OF THESE PLANS, EVEN IF ADVISED OF THE POSSIBILITY OF SUCH DAMAGE.

20" Front - 24" Rear



Specifications

Wheelbase@Geometry	Track@Plan	FW-Radius@Geometry	RW-Radius@Geometry	BB-Height@Geometry	BB-BOS-MAX@Geometry	BB-BOS-MIN@Geometry
1100	900	254	304.8	380	920	762.5

JETRIKE.COM

Title
Recumbent Tadpole Trike

AN OPEN DESIGN
Redistribution and use of these plans in electronic or printed form, are permitted provided all the conditions of the open design license are met. See Page 1 for details.
© Henry Thomas 2006, All Rights Reserved.

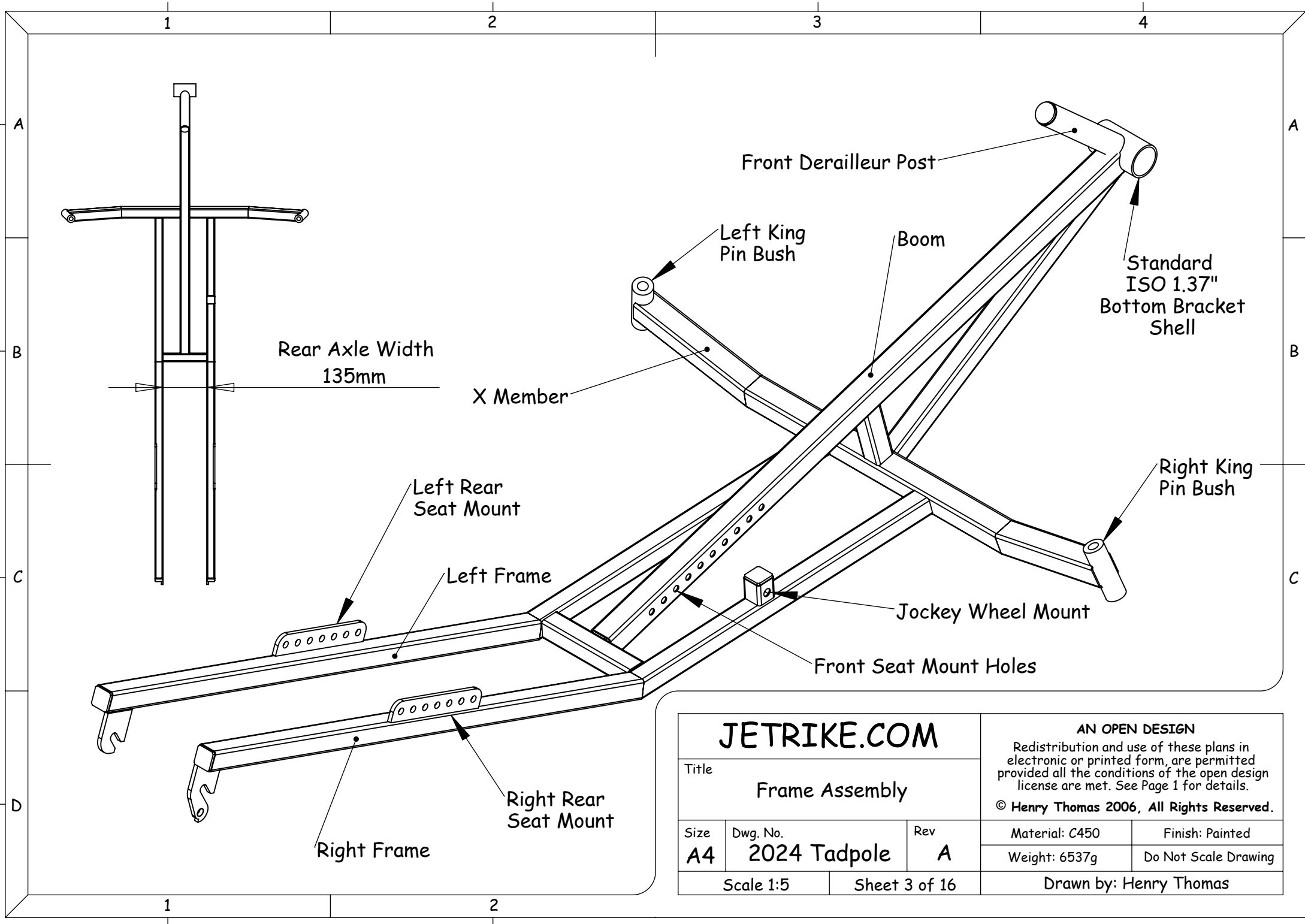
Size A4	Dwg. No. 2024 Tadpole	Rev A
-------------------	---------------------------------	-----------------

Material: C450	Finish: Painted
Weight: 11.7kg	Do Not Scale Drawing

Scale 1:8

Sheet 2 of 16

Drawn by: Henry Thomas



JETRIKE.COM			AN OPEN DESIGN	
Title Frame Assembly			Redistribution and use of these plans in electronic or printed form, are permitted provided all the conditions of the open design license are met. See Page 1 for details.	
© Henry Thomas 2006, All Rights Reserved.			© Henry Thomas 2006, All Rights Reserved.	
Size A4	Dwg. No. 2024 Tadpole	Rev A	Material: C450	Finish: Painted
			Weight: 6537g	Do Not Scale Drawing
Scale 1:5		Sheet 3 of 16		Drawn by: Henry Thomas

1

2

3

4

A

A

B

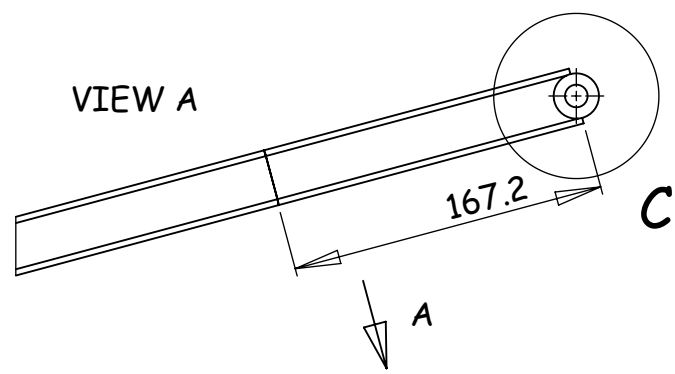
B

C

C

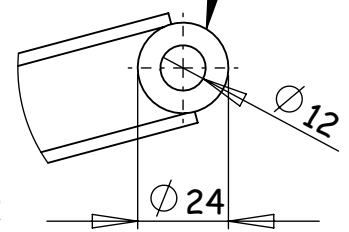
D

VIEW A

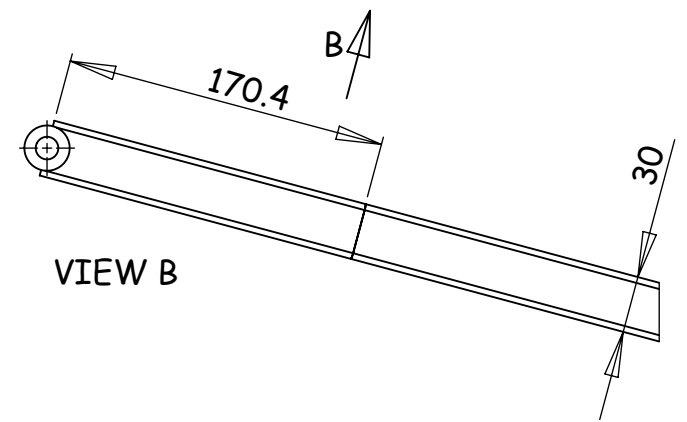
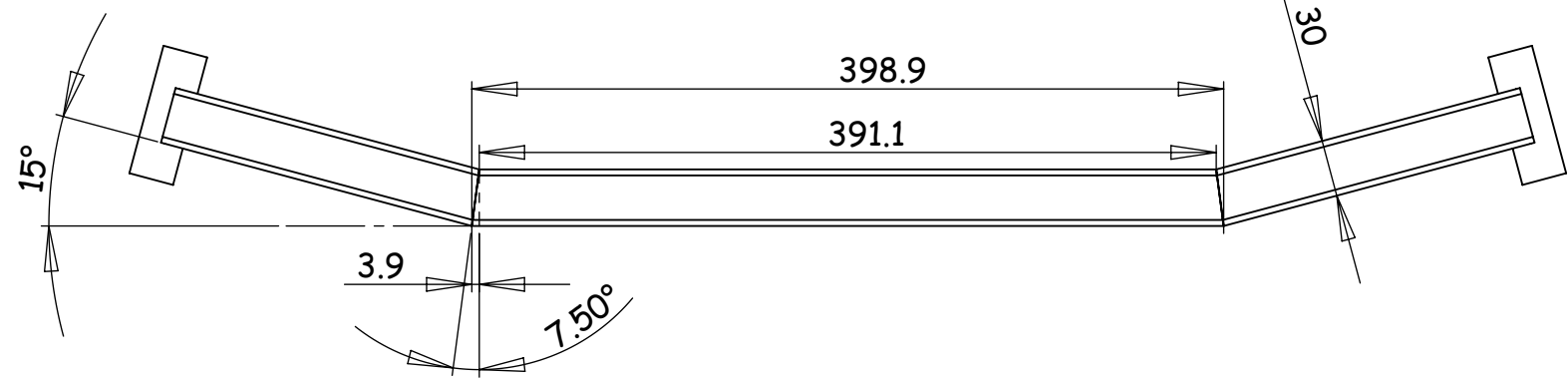


Bearing Housing for
Flanged Brass Bush

7017DU
OD 12mm
ID 10mm
W 17mm
F 1mm



DETAIL C
SCALE 1 : 2



VIEW B

JETRIKE.COM

Title
X Member

AN OPEN DESIGN
Redistribution and use of these plans in
electronic or printed form, are permitted
provided all the conditions of the open design
license are met. See Page 1 for details.
© Henry Thomas 2006, All Rights Reserved.

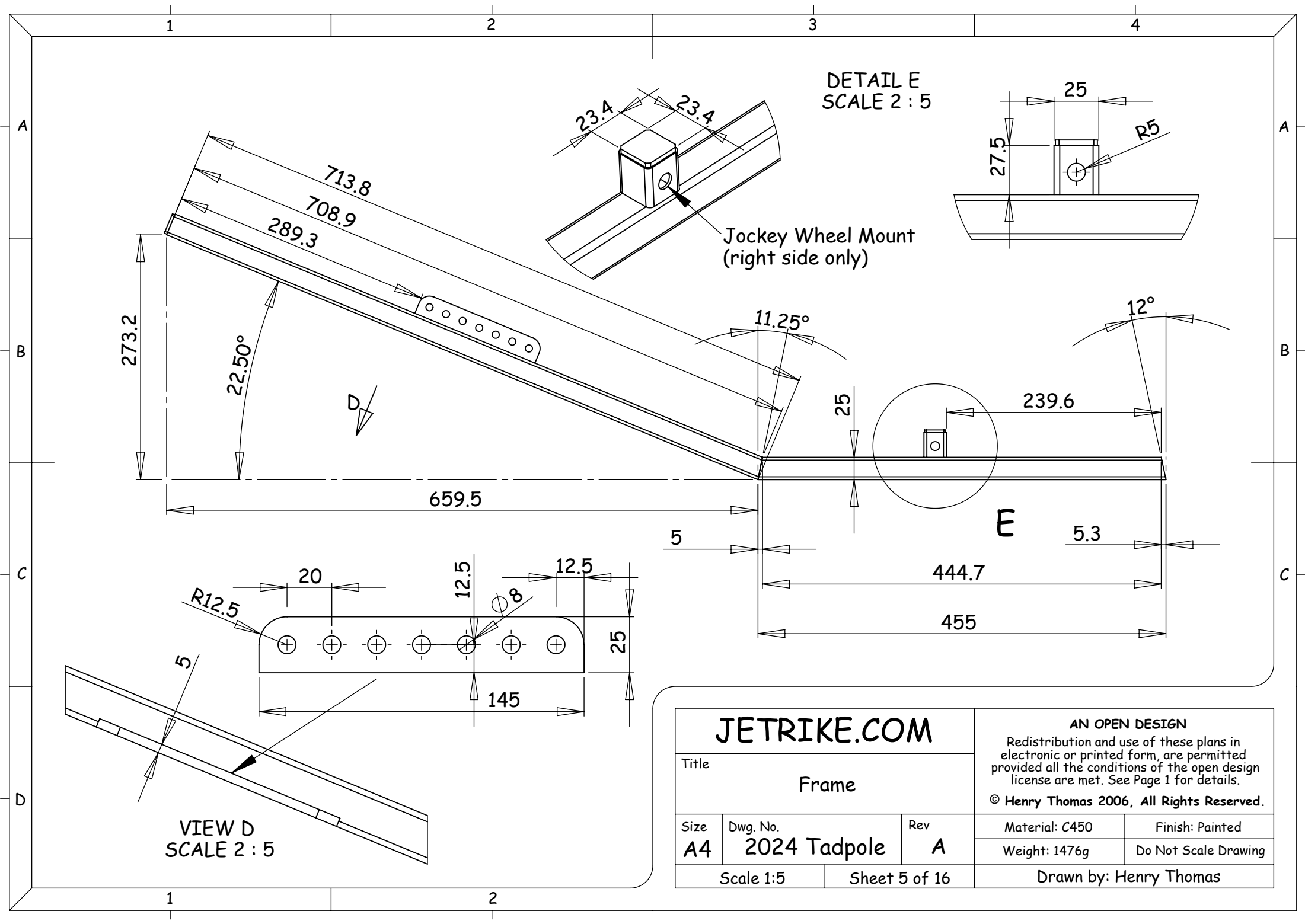
Size A4	Dwg. No. 2024 Tadpole	Rev A
-------------------	---------------------------------	-----------------

Material: C450	Finish: Painted
Weight: 1360g	Do Not Scale Drawing

Scale 1:4	Sheet 4 of 16	Drawn by: Henry Thomas
-----------	---------------	------------------------

1

2



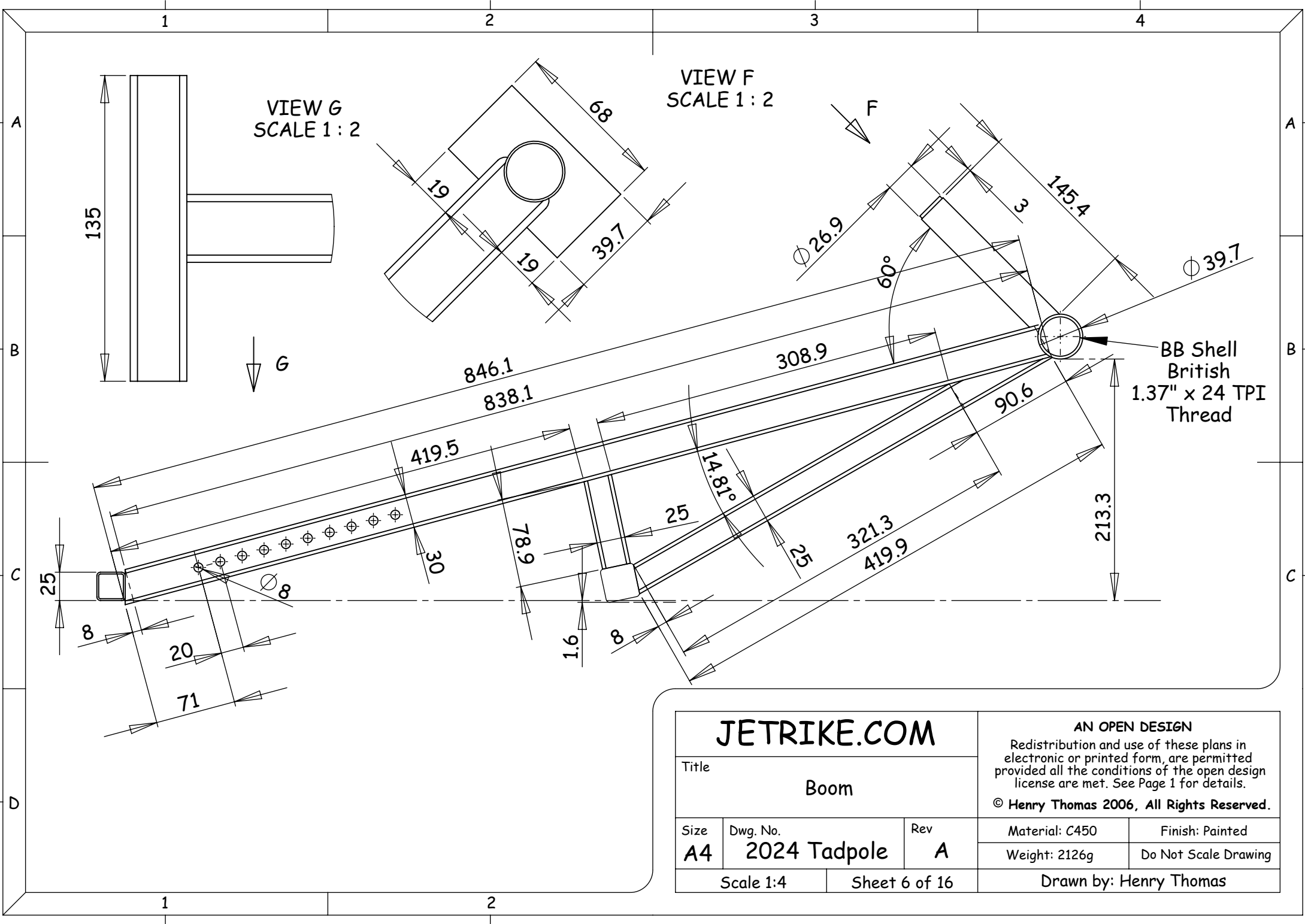
DETAIL E
SCALE 2 : 5

Jockey Wheel Mount
(right side only)

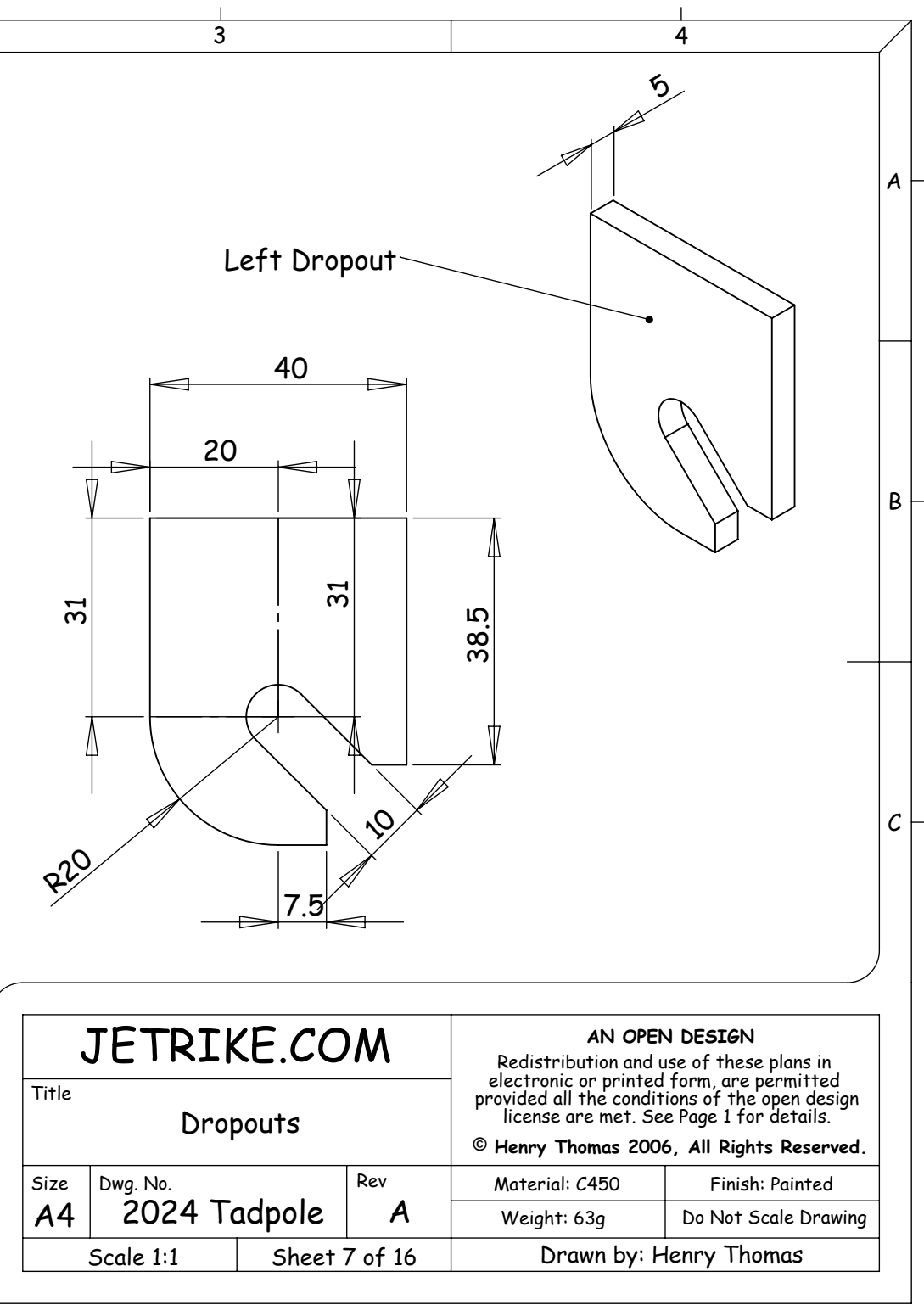
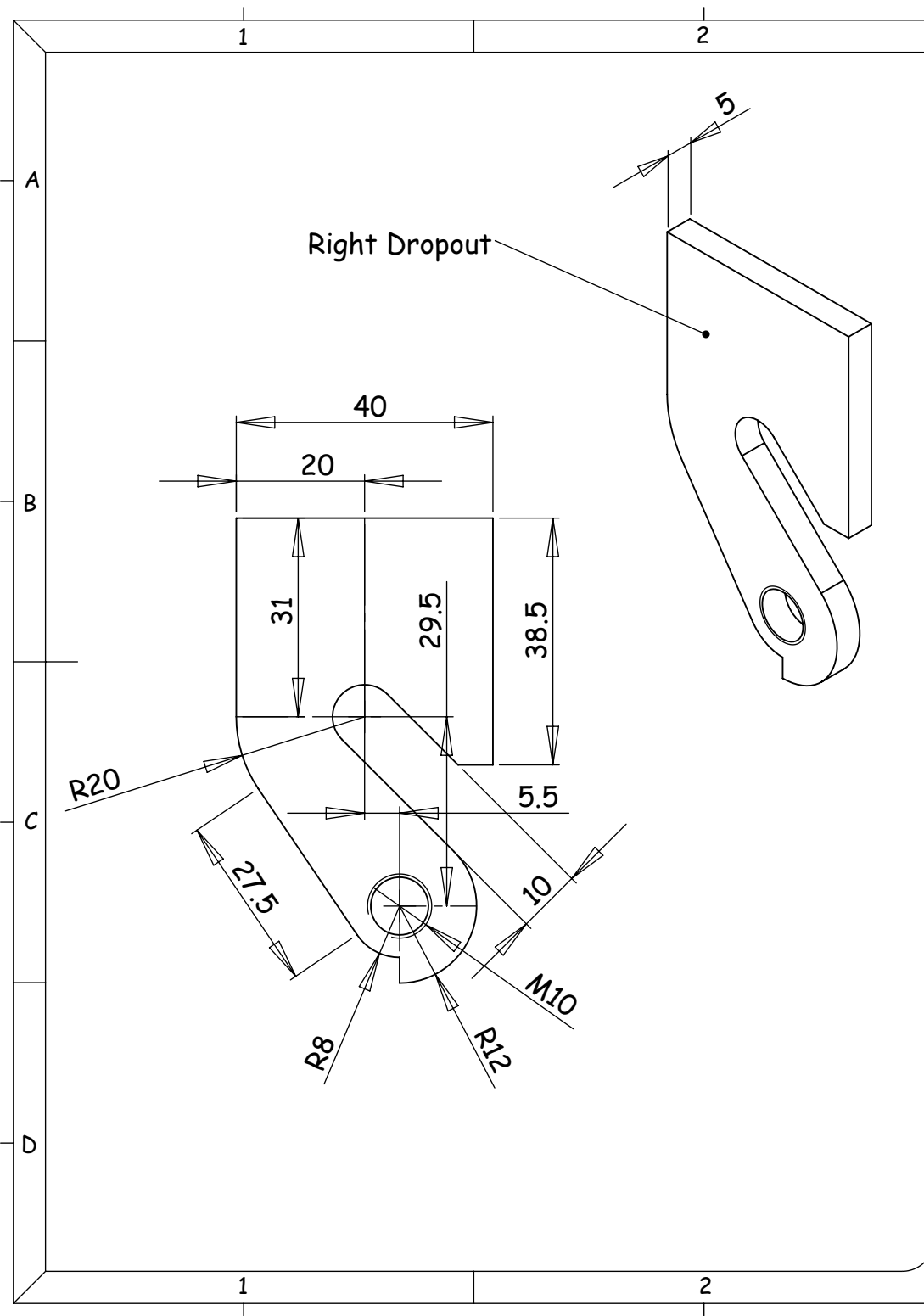
E

VIEW D
SCALE 2 : 5

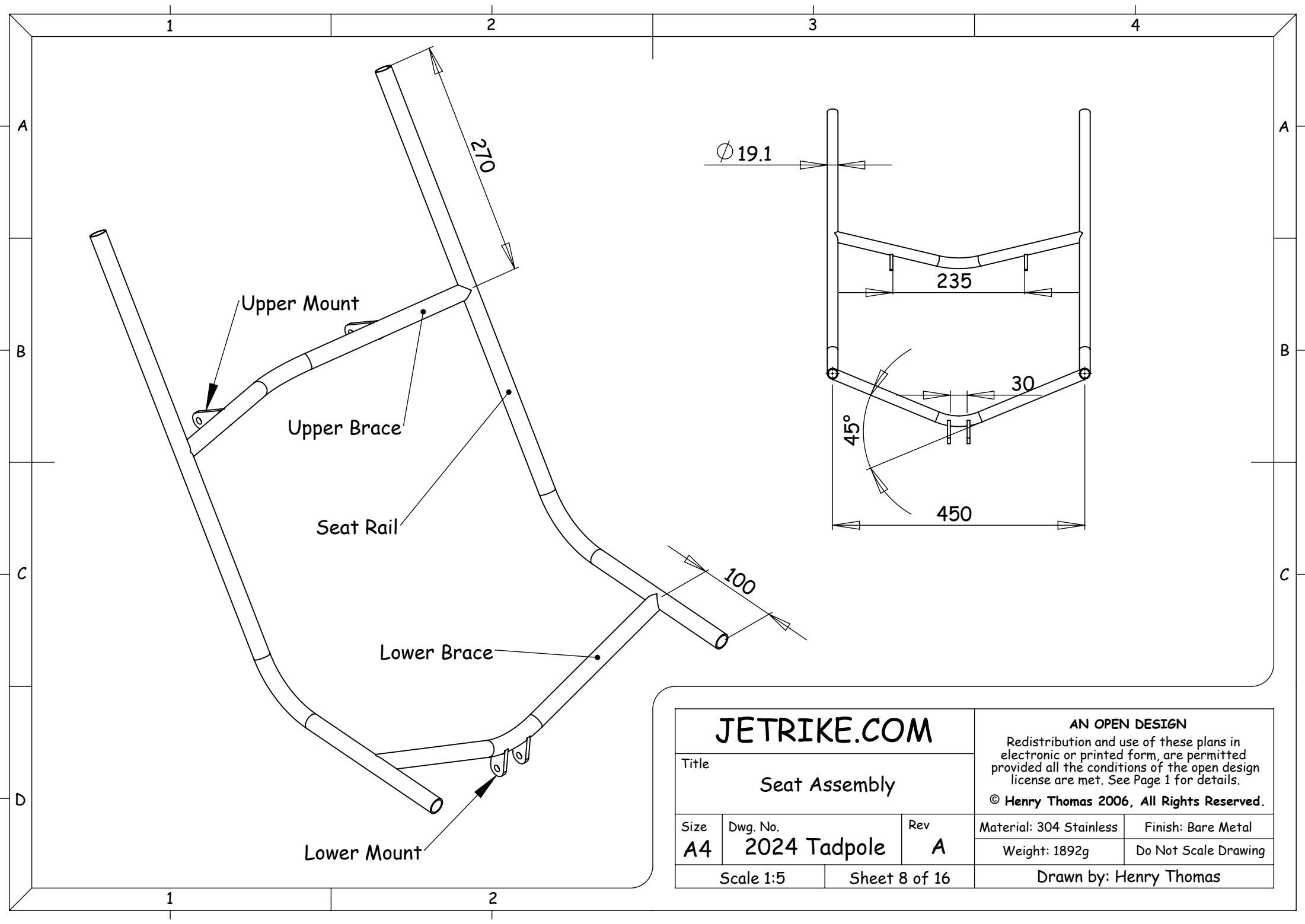
JETRIKE.COM			AN OPEN DESIGN	
Title Frame			Redistribution and use of these plans in electronic or printed form, are permitted provided all the conditions of the open design license are met. See Page 1 for details.	
© Henry Thomas 2006, All Rights Reserved.				
Size A4	Dwg. No. 2024 Tadpole	Rev A	Material: C450	Finish: Painted
			Weight: 1476g	Do Not Scale Drawing
Scale 1:5		Sheet 5 of 16		Drawn by: Henry Thomas



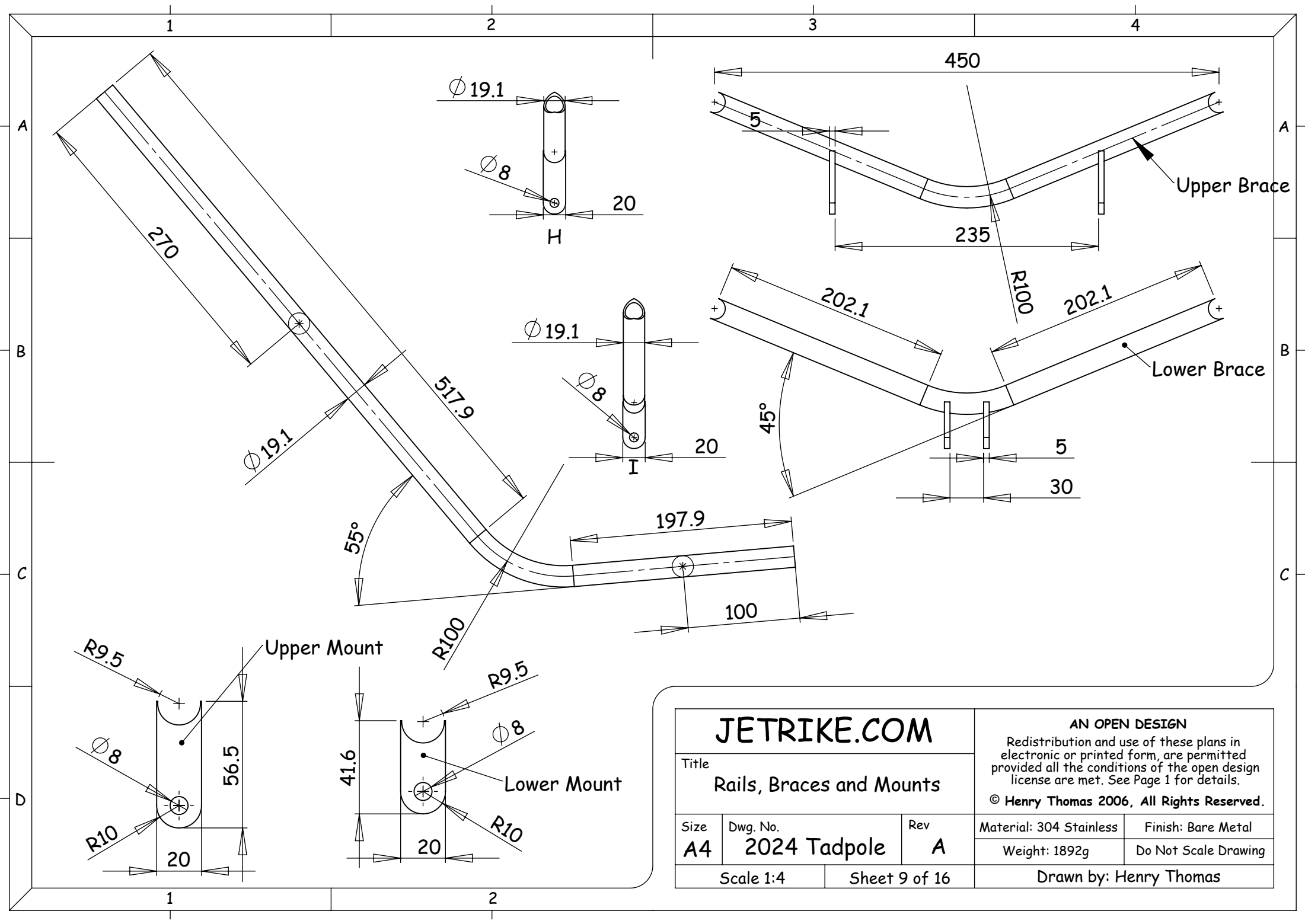
JETRIKE.COM			AN OPEN DESIGN	
Title			Redistribution and use of these plans in electronic or printed form, are permitted provided all the conditions of the open design license are met. See Page 1 for details.	
Boom			© Henry Thomas 2006, All Rights Reserved.	
Size	Dwg. No.	Rev	Material: C450	Finish: Painted
A4	2024 Tadpole	A	Weight: 2126g	Do Not Scale Drawing
Scale 1:4		Sheet 6 of 16		Drawn by: Henry Thomas



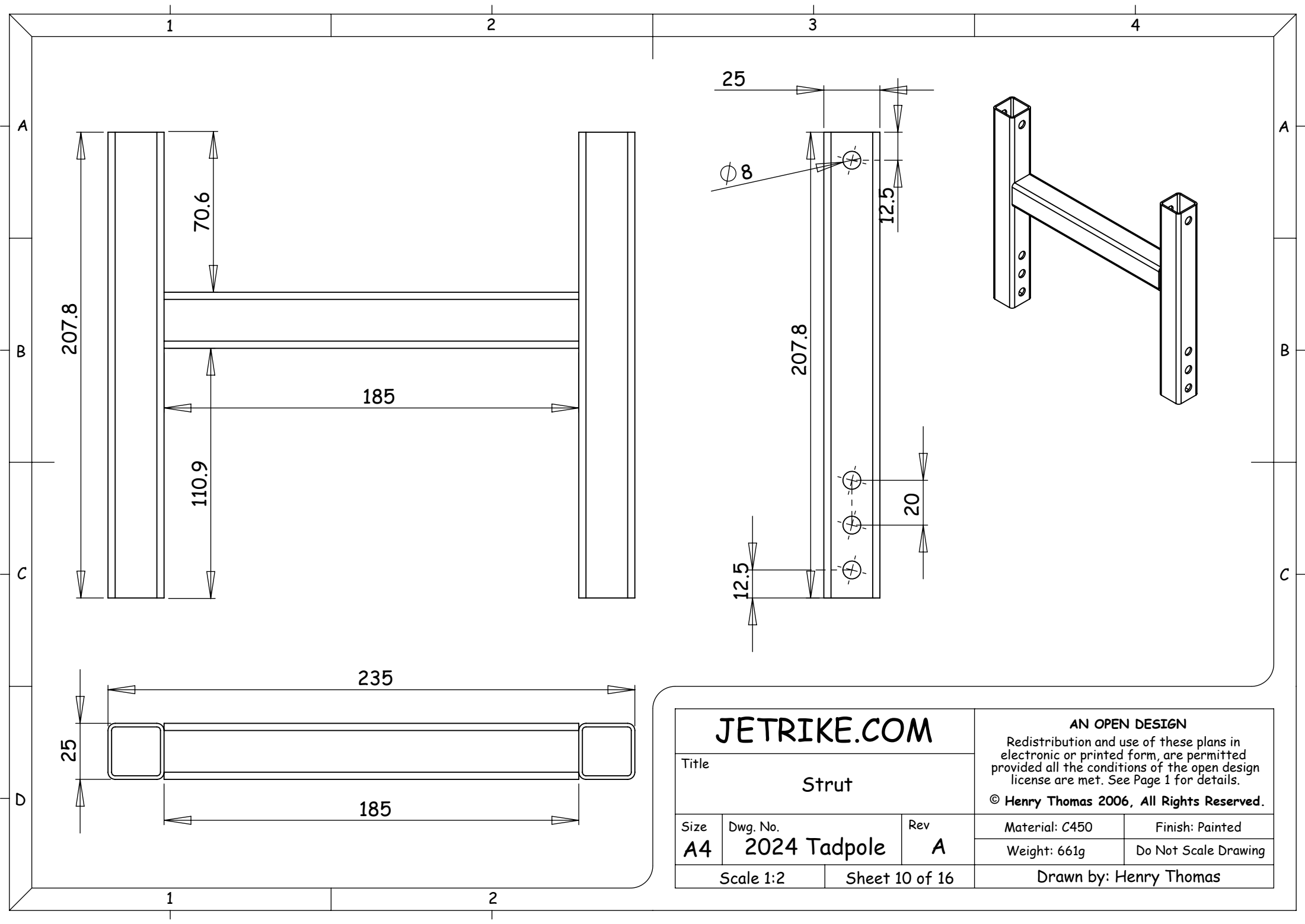
JETRIKE.COM			AN OPEN DESIGN	
Title Dropouts			Redistribution and use of these plans in electronic or printed form, are permitted provided all the conditions of the open design license are met. See Page 1 for details.	
© Henry Thomas 2006, All Rights Reserved.			© Henry Thomas 2006, All Rights Reserved.	
Size A4	Dwg. No. 2024 Tadpole	Rev A	Material: C450	Finish: Painted
			Weight: 63g	Do Not Scale Drawing
Scale 1:1		Sheet 7 of 16	Drawn by: Henry Thomas	



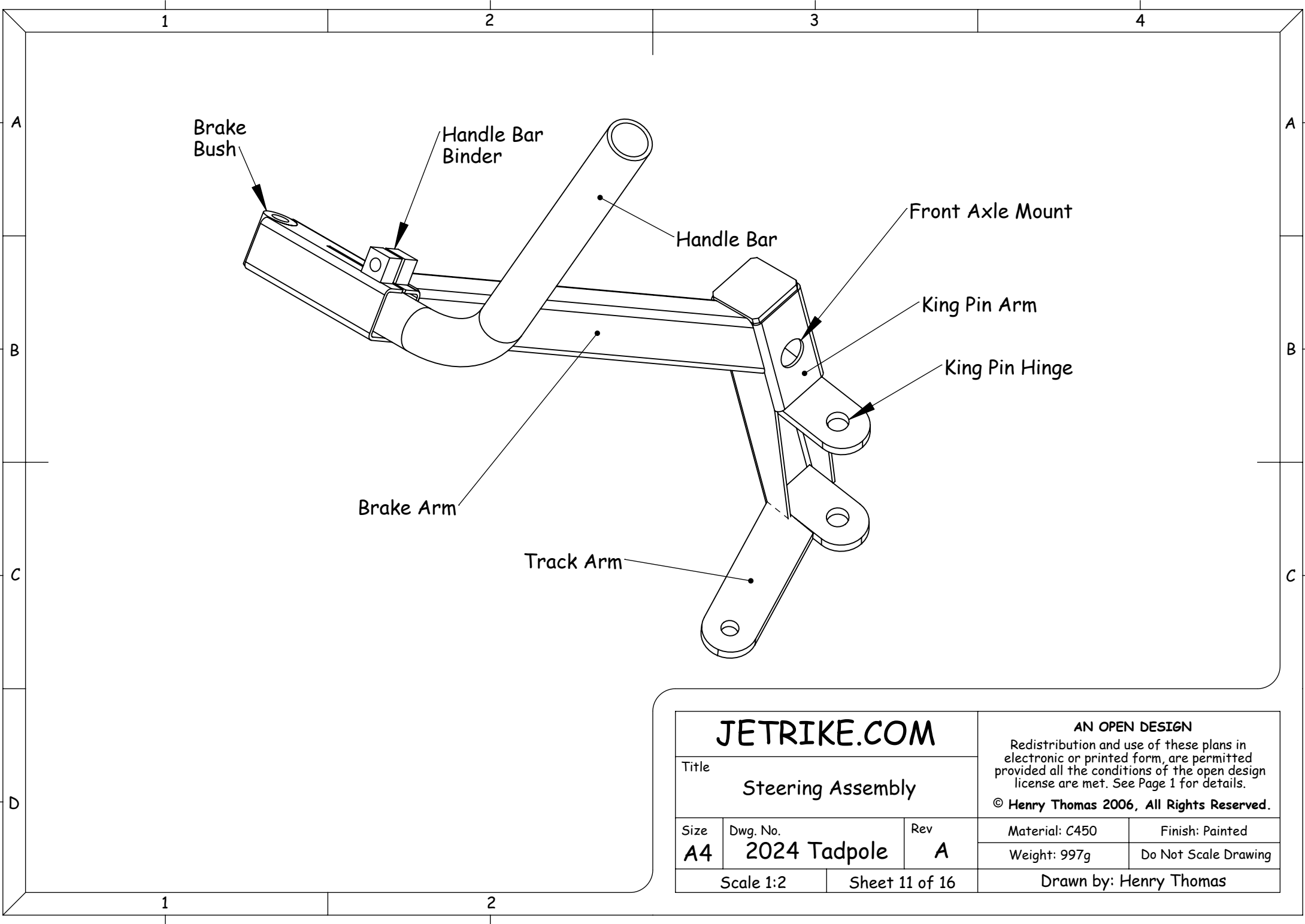
JETRIKE.COM			AN OPEN DESIGN	
Title Seat Assembly			Redistribution and use of these plans in electronic or printed form, are permitted provided all the conditions of the open design license are met. See Page 1 for details.	
© Henry Thomas 2006, All Rights Reserved.			© Henry Thomas 2006, All Rights Reserved.	
Size A4	Dwg. No. 2024 Tadpole	Rev A	Material: 304 Stainless	Finish: Bare Metal
			Weight: 1892g	Do Not Scale Drawing
Scale 1:5		Sheet 8 of 16	Drawn by: Henry Thomas	



JETRIKE.COM			AN OPEN DESIGN	
Title Rails, Braces and Mounts			Redistribution and use of these plans in electronic or printed form, are permitted provided all the conditions of the open design license are met. See Page 1 for details.	
© Henry Thomas 2006, All Rights Reserved.			© Henry Thomas 2006, All Rights Reserved.	
Size A4	Dwg. No. 2024 Tadpole	Rev A	Material: 304 Stainless	Finish: Bare Metal
			Weight: 1892g	Do Not Scale Drawing
Scale 1:4		Sheet 9 of 16	Drawn by: Henry Thomas	



JETRIKE.COM			AN OPEN DESIGN	
Title Strut			Redistribution and use of these plans in electronic or printed form, are permitted provided all the conditions of the open design license are met. See Page 1 for details.	
© Henry Thomas 2006, All Rights Reserved.				
Size A4	Dwg. No. 2024 Tadpole	Rev A	Material: C450	Finish: Painted
			Weight: 661g	Do Not Scale Drawing
Scale 1:2		Sheet 10 of 16		Drawn by: Henry Thomas



JETRIKE.COM

Title
Steering Assembly

AN OPEN DESIGN
 Redistribution and use of these plans in electronic or printed form, are permitted provided all the conditions of the open design license are met. See Page 1 for details.
 © Henry Thomas 2006, All Rights Reserved.

Size A4	Dwg. No. 2024 Tadpole	Rev A
-------------------	---------------------------------	-----------------

Material: C450	Finish: Painted
Weight: 997g	Do Not Scale Drawing

Scale 1:2	Sheet 11 of 16	Drawn by: Henry Thomas
-----------	----------------	------------------------

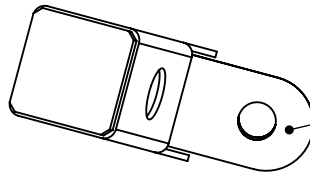
1

2

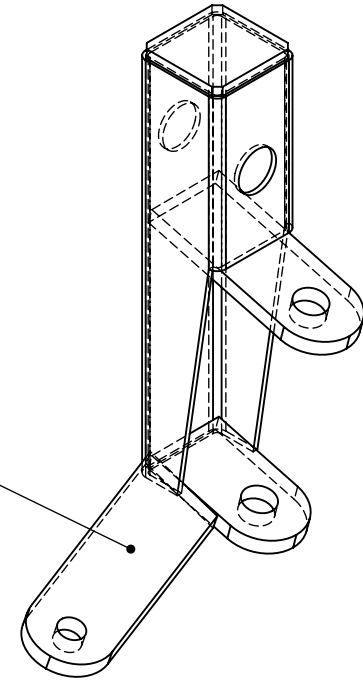
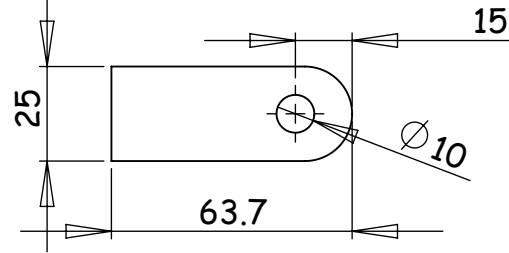
3

4

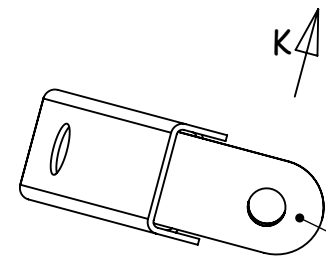
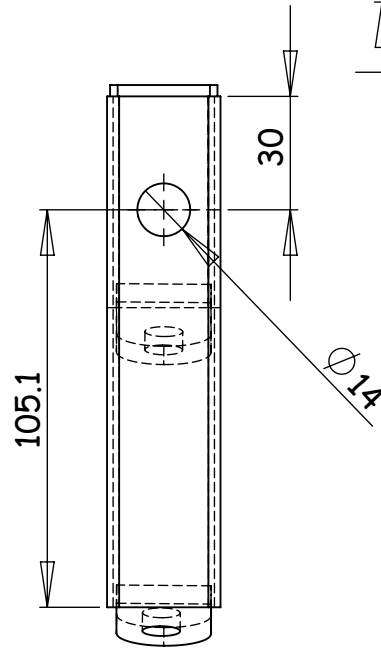
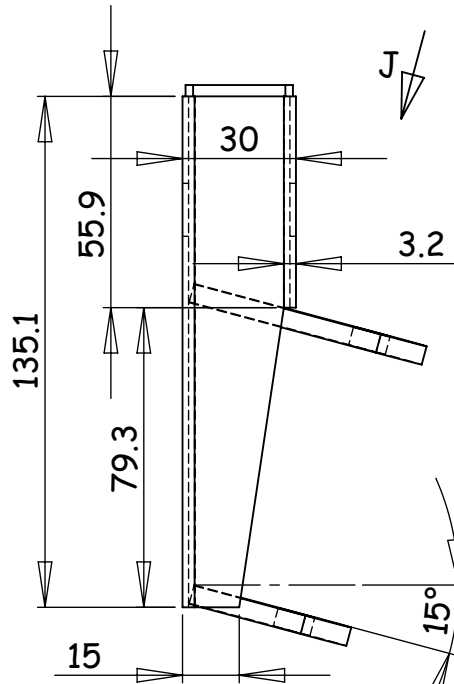
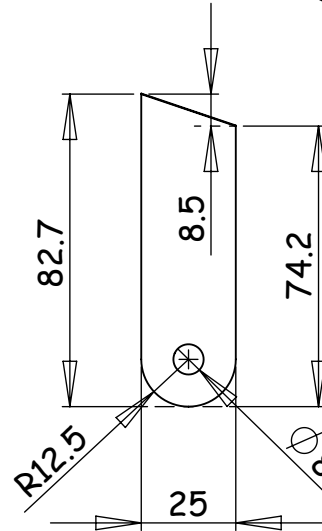
VIEW J



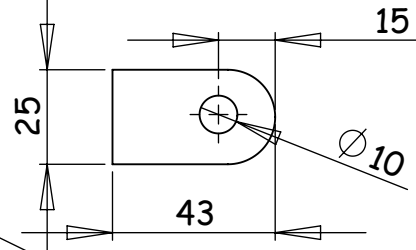
Upper Hinge



Track Arm



Lower Hinge



VIEW K

K

JETRIKE.COM

Title

King Pin Arm

AN OPEN DESIGN
Redistribution and use of these plans in electronic or printed form, are permitted provided all the conditions of the open design license are met. See Page 1 for details.

© Henry Thomas 2006, All Rights Reserved.

Size
A4

Dwg. No.
2024 Tadpole

Rev
A

Material: C450

Finish: Painted

Weight: 250g

Do Not Scale Drawing

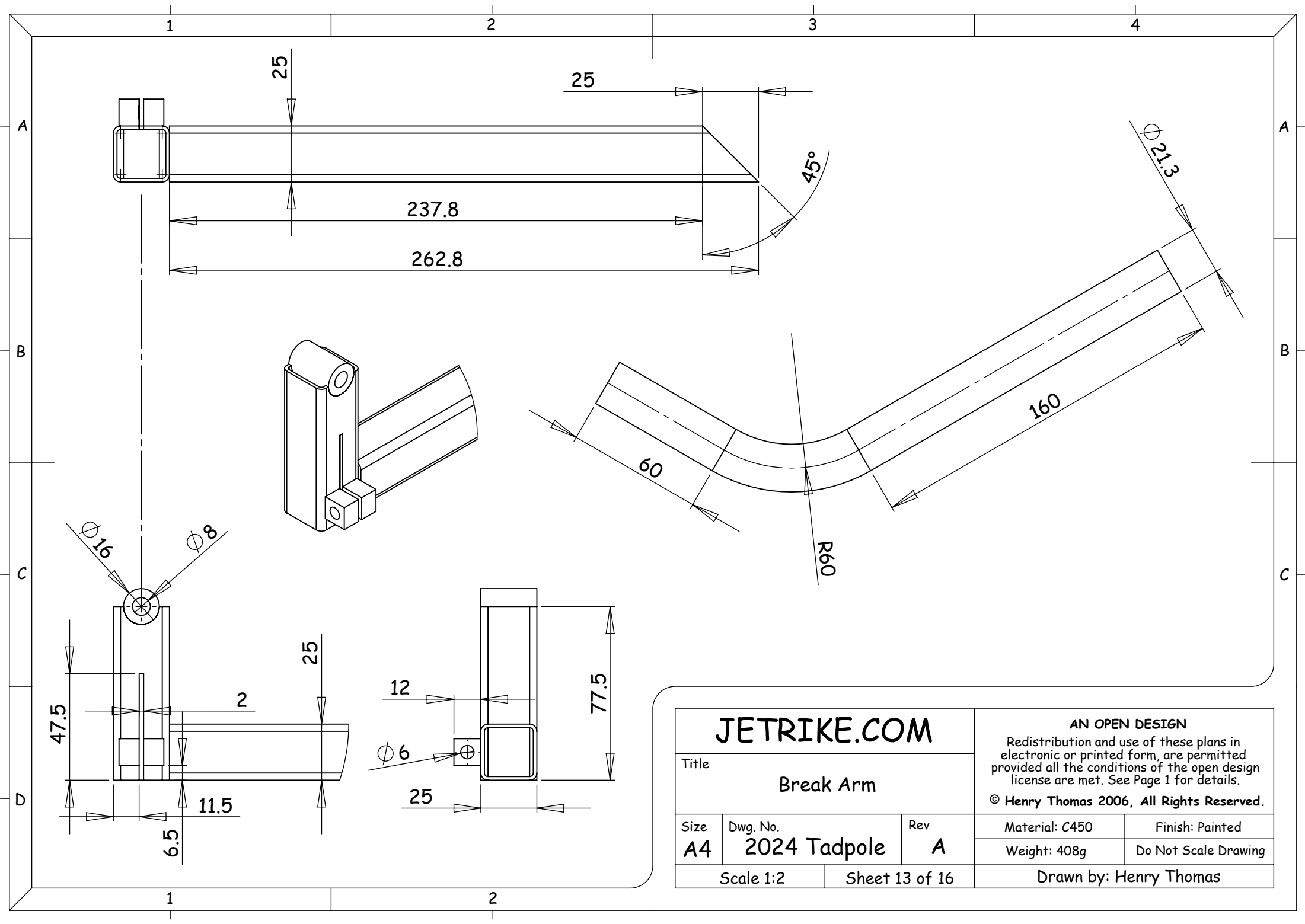
Scale 1:2

Sheet 12 of 16

Drawn by: Henry Thomas

1

2



JETRIKE.COM

Title
Break Arm

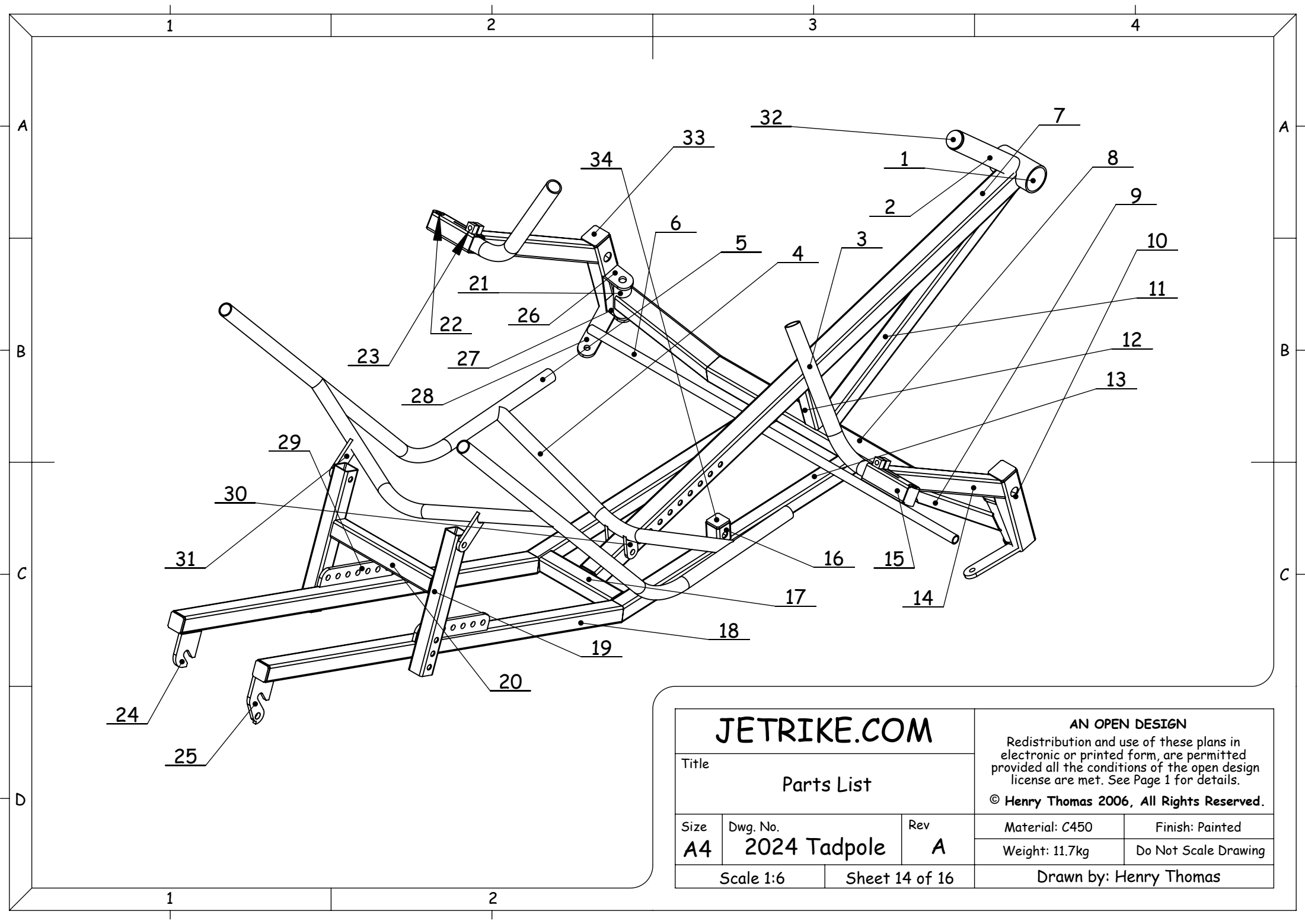
AN OPEN DESIGN
 Redistribution and use of these plans in electronic or printed form, are permitted provided all the conditions of the open design license are met. See Page 1 for details.
 © Henry Thomas 2006, All Rights Reserved.

Size A4	Dwg. No. 2024 Tadpole	Rev A
-------------------	---------------------------------	-----------------

Material: C450	Finish: Painted
Weight: 408g	Do Not Scale Drawing

Scale 1:2 Sheet 13 of 16

Drawn by: Henry Thomas



JETRIKE.COM		
Title Parts List		
Size A4	Dwg. No. 2024 Tadpole	Rev A
Scale 1:6		Sheet 14 of 16

AN OPEN DESIGN
 Redistribution and use of these plans in electronic or printed form, are permitted provided all the conditions of the open design license are met. See Page 1 for details.
 © Henry Thomas 2006, All Rights Reserved.

Material: C450	Finish: Painted
Weight: 11.7kg	Do Not Scale Drawing

Drawn by: Henry Thomas

Basic Tadpole Cut List

ITEM NO.	DESCRIPTION	QTY.	LENGTH	TOTAL
1	BB Shell British 1.37 x 24 TPI	1	68	
2	CHS Nominal Bore 20mm Extra Light	1	146.4	146.4
3	CHS Nominal Bore 15mm Light	2	282.8	565.6
4	Tube OD 3/4 x 0.064 inch	2	482.8	965.6
5	Tube OD 3/4 x 0.064 inch	2	811.9	1623.8
6	Tube OD 1/2 x 0.64 inch	1	690.6	690.6
7	SHS 30 x 30 x 1.6mm	1	846.4	846.4
8	SHS 30 x 30 x 1.6mm	1	398.9	398.9
9	SHS 30 x 30 x 1.6mm	2	170.8	341.6
10	SHS 30 x 30 x 1.6mm	2	135.1	270.2
11	SHS 25 x 25 x 1.6mm	1	420.1	420.1
12	SHS 25 x 25 x 1.6mm	1	80.2	80.2
13	SHS 25 x 25 x 1.6mm	2	455	910
14	SHS 25 x 25 x 1.6mm	2	262.8	525.6
15	SHS 25 x 25 x 1.6mm	2	77.5	155
16	SHS 25 x 25 x 1.6mm	1	27.5	27.5
17	SHS 25 x 25 x 1.6mm	1	135	135
18	SHS 25 x 25 x 1.6mm	2	713.8	1427.6
19	SHS 25 x 25 x 1.6mm	2	207.8	415.6
20	SHS 25 x 25 x 1.6mm	1	185	185
21	Round 24mm	2	70	140
22	Round 16mm	2	25	50
23	Square 12mm	4	9	36
24	Flat 40 x 5mm	1	51	51
25	Flat 40 x 5mm	1	72.5	72.5
26	Flat 25 x 5mm	2	63.7	127.4
27	Flat 25 x 5mm	2	43	86
28	Flat 25 x 5mm	2	82.8	165.6
29	Flat 25 x 5mm	2	145	290
30	Flat 20 x 5mm	2	41.6	83.2
31	Flat 20 x 5mm	2	56.5	113
32	Plate 26.9 Diameter x 1.5mm	1		
33	Plate 30 x 30 x 1.5mm	2		
34	Plate 25 x 25 x 1.5mm	3		
TOTALS	Tube OD 3/4x 0.064 inch			2589.4
	SHS 30 x 30 x 1.6mm			1857.1
	SHS 25 x 25 x 1.6mm			4281.6
	Flat 40 x 5mm			123.5
	Flat 25 x 5mm			669
	Flat 20 x 5mm			196.2
	Plate 55 x 90 x 1.5mm			

1

2

3

4

A

A

B

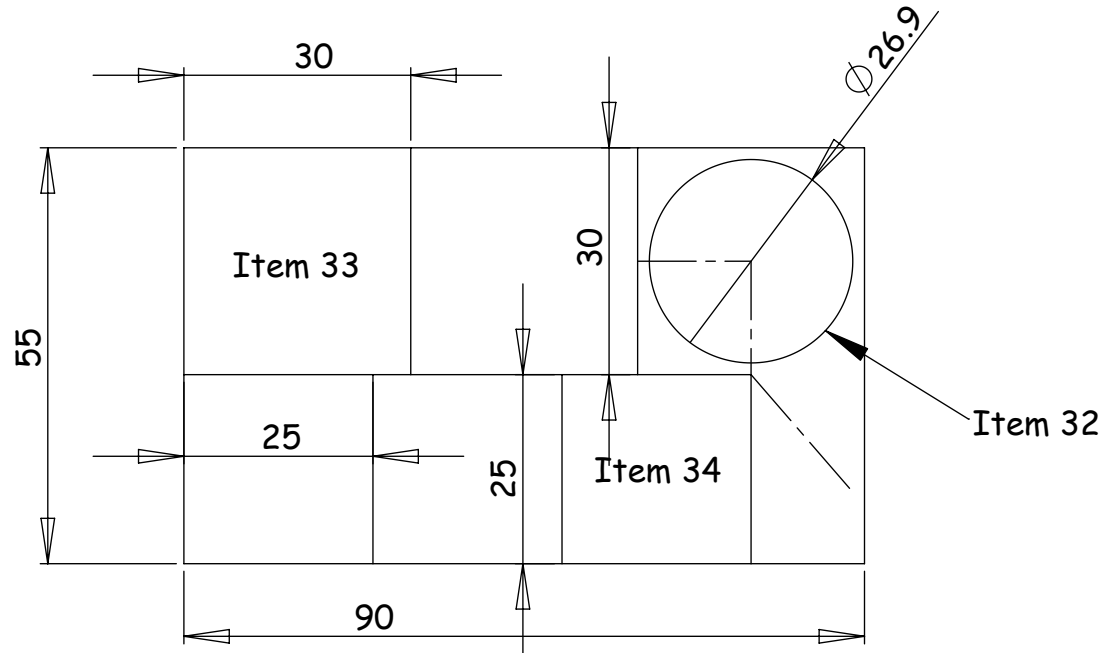
B

C

C

D

Endcaps
Plate 55 x 90 x 1.5mm



JETRIKE.COM

Title

Plate Cutout

AN OPEN DESIGN
Redistribution and use of these plans in electronic or printed form, are permitted provided all the conditions of the open design license are met. See Page 1 for details.

© Henry Thomas 2006, All Rights Reserved.

Size

A4

Dwg. No.

2024 Tadpole

Rev

A

Material:

Finish:

Weight:

Do Not Scale Drawing

Scale 1:1

Sheet 16 of 16

Drawn by: Henry Thomas

1

2